

MTC000205020  
 SKIDPLATE YAMAHA XT1200Z  
 UNTIL 2013



DIN 7991 6 X 10 (6)



DIN 912 10 X 50 / 1.25 (2)



DIN 912 12 X 40 / 1.25 (2)



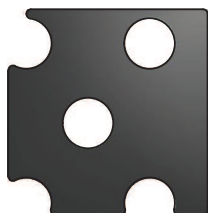
FRONT STEEL SPACER 12 MM (2)



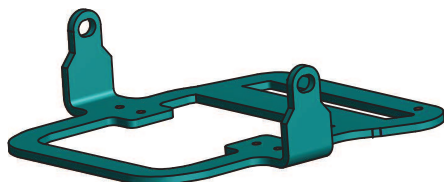
REAR ST52 BUSHING (2)



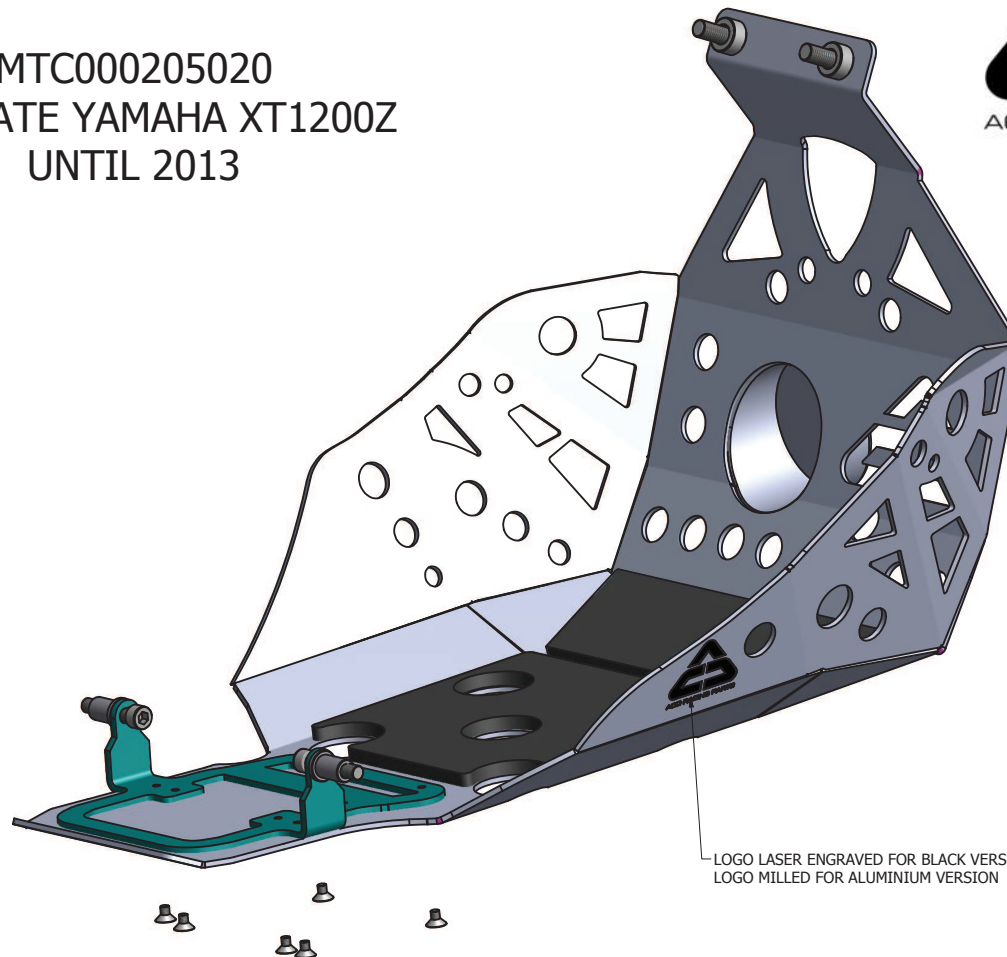
FRONT NEOPRENE FOAM 10 MM



CENTRAL NEOPRENE FOAM 10 MM



S275 STEEL BRACKET 5 MM



SEE OUR MOUNTING VIDEO ON YOUTUBE :

<http://youtu.be/4fTGV-d5KZ0>

DRAWN Cédric Choffat	28/01/2015	ACD PARTS EUROPE	
CHECKED		TITLE	
QA		SKIDPLATE XT1200Z YAMAHA	
MFG		SIZE C	DWG NO MTC000205020 UPDATED
APPROVED		SCALE	REV
			SHEET 1 OF 1